

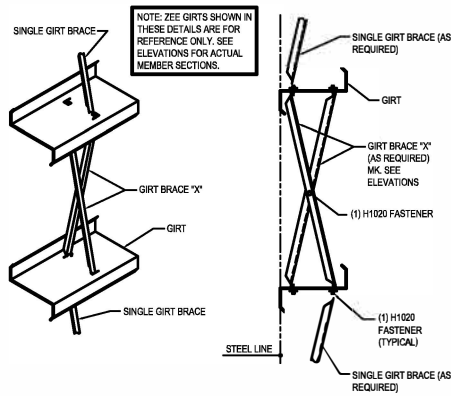
GIRT BRACING

CP0010 - GIRT BRACING ATTACHMENT METHODS

CP0020 - BRACE CHANNEL INSTALLATION AT INTERMEDIATE SPACES

CP0010 - GIRT BRACING ATTACHMENT METHODS

[Download the DWG file by clicking here.](#)



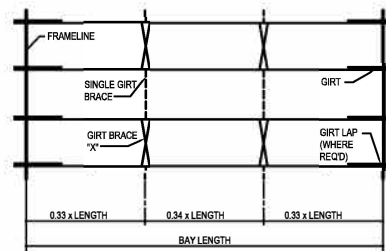
INSTALLATION INSTRUCTIONS

- 1) FOR SINGLE GIRT BRACE, INSERT ANGLE INTO THE FACTORY PUNCHED SLOTS. BEND TABS AS SHOWN AND FASTEN THROUGH TAB WITH (1) H1020 FASTENER PER END.
- 2) FOR GIRT BRACE "X", INSERT ANGLES "BACK-TO-BACK" INTO THE FACTORY PUNCHED SLOTS. BEND TABS AS SHOWN AND FASTEN THROUGH TAB WITH (1) H1020 FASTENER PER END.
- 3) CONNECT GIRT BRACE "X" AT THE ANGLE INTERSECTION WITH (1) H1020 FASTENER.
- 4) GIRT BRACING IS NOT TO DISTORT OR ALTER GIRTS FROM THEIR INTENDED SHAPE AND LOCATION.
- 5) SEE DETAILS BELOW FOR ADDITIONAL INFORMATION WHEN ATTACHING TO ALTERNATE FRAMING MEMBERS.

PLAN VIEW OF (2) GIRT BRACING ROWS PER BAY

- 1) INSTALL (2) REQUIRED ROWS OF GIRT BRACING REGARDLESS OF THE BAY LENGTH. GIRT BRACING IS SPACED AS SHOWN IN THE DETAIL BELOW.

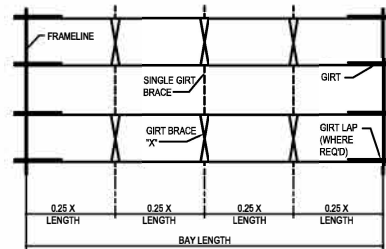
- 2) SEE WALL ELEVATION(S) FOR GIRT BRACING MARK NUMBERS, QUANTITIES AND LOCATIONS.



PLAN VIEW OF (3) GIRT BRACING ROWS PER BAY

- 1) INSTALL (3) REQUIRED ROWS OF GIRT BRACING REGARDLESS OF THE BAY LENGTH. GIRT BRACING IS SPACED AS SHOWN IN THE DETAIL BELOW.

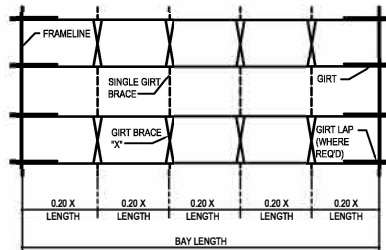
- 2) SEE WALL ELEVATION(S) FOR GIRT BRACING MARK NUMBERS, QUANTITIES AND LOCATIONS.



PLAN VIEW OF (4) GIRT BRACING ROWS PER BAY

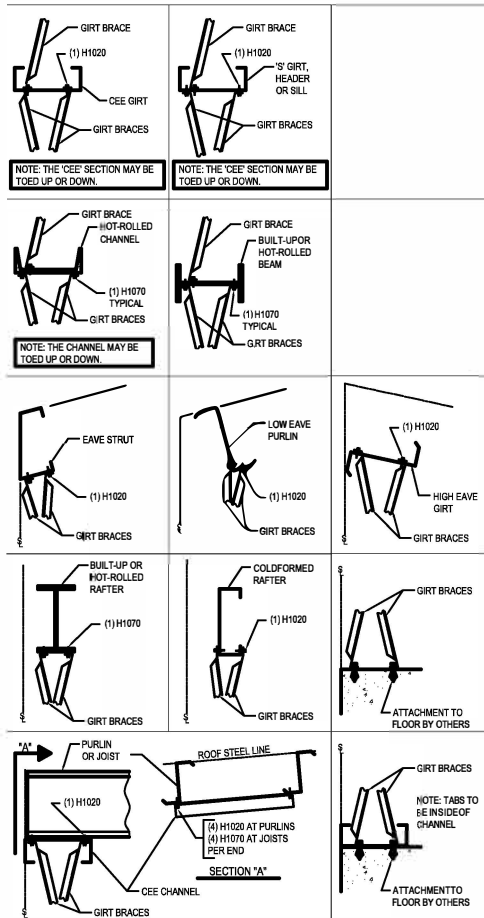
- 1) INSTALL (4) REQUIRED ROWS OF GIRT BRACING REGARDLESS OF THE BAY LENGTH. GIRT BRACING IS SPACED AS SHOWN IN THE DETAIL BELOW.

- 2) SEE WALL ELEVATION(S) FOR GIRT BRACING MARK NUMBERS, QUANTITIES AND LOCATIONS.



GIRT BRACING ATTACHMENT METHODS

CP0010

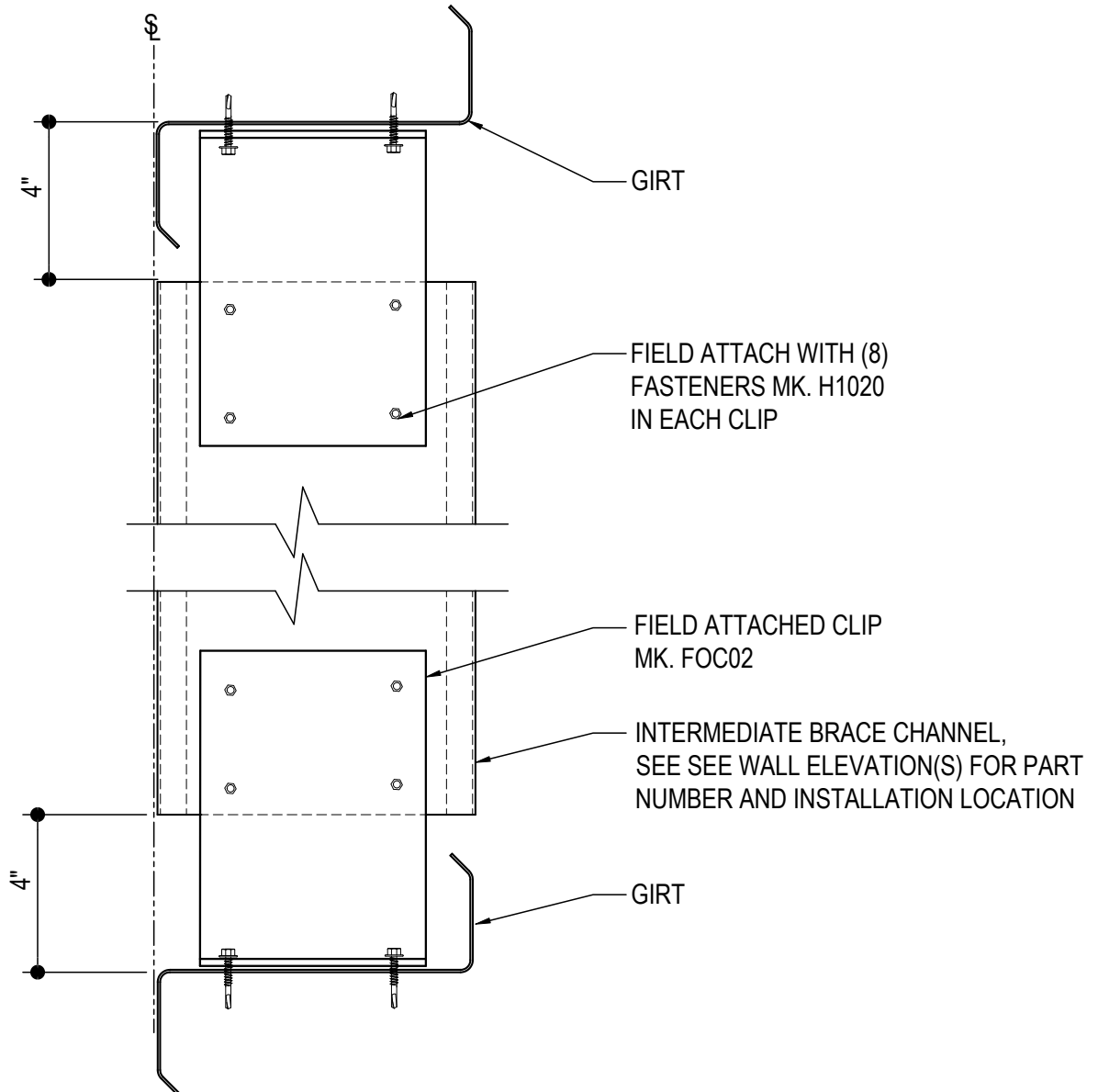


Detailer Notes:

- 1) N/A

CP0020 - BRACE CHANNEL INSTALLATION AT INTERMEDIATE SPACES

[Download the DWG file by clicking here.](#)



BRACE CHANNEL INSTALLATION

AT INTERMEDIATE SPACES

CP0020

Detailer Notes:

1) N/A